

# FLOS

 F1634035 Rust Red

## C ramique Down

Designed by Ronan Bouroullec, 2023

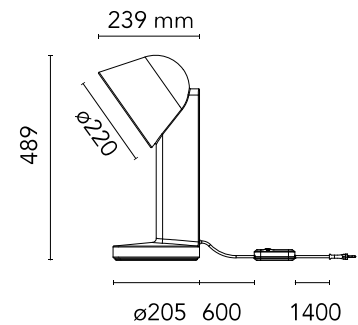


LED retrofit

The «C ramique» lamp collection was designed by Ronan Bouroullec for Flos. This lamp is the pure expression of a material, a union of the hands of a designer that can create visual poetry and the «savoir-fair» of a company that can translate it into an object. The lamp's iconic ceramic body features a lead-free lacquered crystalline finish that complements its handcrafted surface. White diffuser made of polycarbonate. C ramique combines elegance and craftsmanship with versatile lighting. With a durable design and attention to detail, this collection enhances the beauty of ceramics and promotes energy efficiency. Available colors: Moss Green, Navy Blue and Rust Red.

Are you a professional and your project needs consulting and support?

[BOOK AN APPOINTMENT](#)



### Main specifications

EAN	8059607061879
Mounting	Table
Environments	Indoor dry location
Light Source Type	Bulb
Lamp category	LED retrofit
Lamp type	A60
Lamp holders	E27

### Physical

Colour	Rust Red
Length (mm)	195
Cord length (mm)	2000
Net weight (kg)	3.5
Package height (mm)	715
Package width (mm)	370
Package length (mm)	370
Package volume (m3)	0.1

### Download

[Mounting instructions](#)



### Ecodesign and Energy Labelling



Replaceable (LED only) light source by an end-user



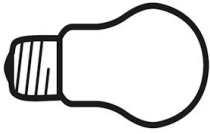
## Photometric

Lighting type	Direct
Light distribution	Asymmetric

## Electrical

Insulation class	II
Frequency (Hz)	50/60
Main voltage (Vac)	220-240
Dimmable	Yes
Dimming interface	Dimmer Integrated

## Bulbs



NOT INCLUDED

RF25317

LED Opal Lamp E27 8W 3000K  
A60 Dimmable



NOT INCLUDED

RF25323

LED Opal Lamp E27 8W 2700K  
A60 Dimmable