

HAZEL

Designed by Jacob Rudbeck



Pendant lamp



TESTS & CERTIFICATIONS

CE (for indoor use)



DIMENSIONS

Ø: 40 cm / 15.7"
H: 16 cm / 6.3"

Ø: 22 cm / 8.7"
H: 9.5 cm / 3.7"



MATERIAL

Steel, aluminium and PMMA
Incl. 2.7 m / 8'9" black textile cord and metal canopy



WARRANTY

10 years warranty against manufacturer defects



WEIGHT INCL. PACKAGING

Hazel medium: 4.9 kg / 10.8 lb
Hazel mini: 2.1 kg / 4.6 lb



LIGHT SOURCE

Hazel medium: 21W LED panel built-in. 3000 K
1100 lumen. CRI: 85. 25000 H

Hazel mini: 12W LED panel built-in. 3000 K
600 lumen CRI: 84. 25000 H
Dimmable with external dimmer*



PACKAGING (L x W x H)

Medium: 44.7 x 44.7 x 24.4 cm / 17.6 x 17.6 x 9.6"
Mini: 24.4 x 24.4 x 17.4 cm / 9.6 x 9.6 x 6.9"



ASSEMBLY TIME

10 min - video guide at umage.com



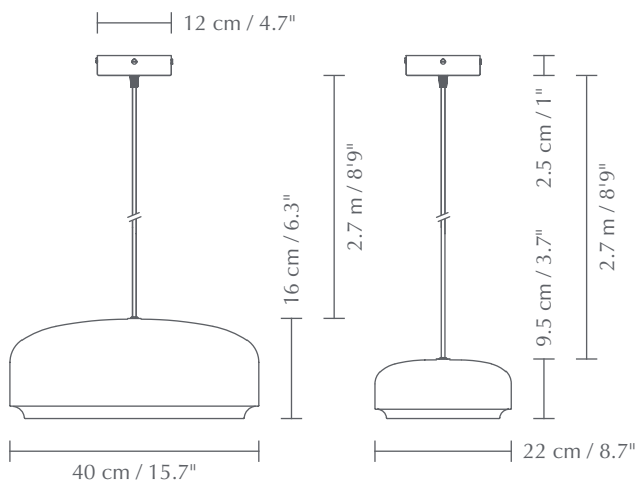
MEDIA KIT

Photos and press material
Download at umage.presscloud.com



ORDERING INFORMATION

| | |
|--------------------|-------|
| Hazel medium black | #2440 |
| Hazel mini black | #2441 |
| Hazel medium white | #2446 |
| Hazel mini white | #2447 |



Medium

Mini



Colour variations

* For recommended external dimmers, go to umage.presscloud.com



black
(RAL: 9005)



white
(RAL: 9003)


UMAGE

The specifications and dimensions are subject to change without notice. Document date: 07-03-2022 | info@umage.com | umage.com
Havnegade 29, DK-1058 Copenhagen K | +45 31 39 31 31 (tel) & 185 Wythe Ave 2FL, Brooklyn, NY 11249 | +1 646-790-7171 (tel)

HAZEL

Designed by Jacob Rudbeck



THE FUSION OF NATURE AND TECHNOLOGY

Introducing a new lamp; Hazel™, with a shape inspired by the humble hazelnut, designed from solid materials and LED technology, it becomes a crossbreed between nature and technology. The organic shapes, the brass details, and the soft light will create a warm yet minimalistic feeling in your home.

Find more info on our website umage.com

