

FLOS

F1889033 Argent

Coordinates Module Suspension CLIII

Designed by Michael Anastassiades, 2020

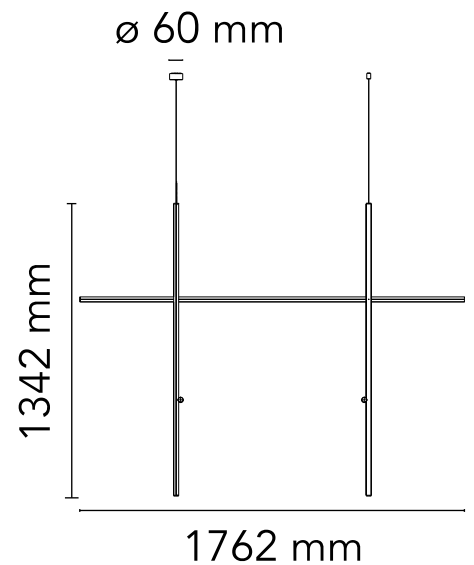


180W - 10230lm - 2700K - CRI> 90

Coordinates is a lighting system with diffuse light composed of horizontal and vertical luminaries arranged in a bright grid of various shapes and complexities. Each element is made of extruded anodized aluminium with a champagne finish and a diffuser in platinum optical silicone with an integrated LED strip (CRI 95). Each element is powered and supported by an invisible electrical and mechanical connection designed specifically to allow for the composition of the 4 hanging models (S1, S2, S3, S4) with 2.5-m cables. The 'S Module' is also available. Its geometry was designed to be repeated to create large grids for custom installations. Each Coordinates configuration includes its own ceiling rose, whose integrated electronics allow for the use of different dimmer systems: push, 1-10, DALI. In the absence of these systems, the amount of light can be set during installation with the push system included in the rose. The related CI III version is also available for each configuration for installations with a remote power supply.

Are you a professional and your project needs consulting and support?

[BOOK AN APPOINTMENT](#)



Main specifications

EAN	8059607037683
Mounting	Suspension
Environments	Indoor dry location
Light Source Type	LED
LED type	LED Module
Power (W)	180
System flux (lm)	10230

Physical

Colour	Argent
Length (mm)	1762
Cord length (mm)	2400
Net weight (kg)	6
Package volume (m3)	0.05
IP internal	20

Download

Mounting instructions [↓ PDF](#)

Photometric Files

ULD [↓ ZIP](#)

Technical Drawings

3D [↓ ZIP](#)

[🔒 Bim](#) [↓ ZIP](#)



Photometric

Lighting type	Total
Light distribution	Asymmetric
CCT (K)	2700
CRI>	90

Electrical

Insulation class	III
Main voltage (Vac)	48
LED voltage Vf (Vdc)	null
Driver	Remote excluded
Dimming type	Electronic 48V
Batteries inside	No

Ecodesign and Energy Labelling

This product contains a light source of energy efficiency class F



Replaceable (LED only)
light source by a
professional

Accessories & Power Supply



OPTIONAL

RF26994

12-48V Led Dimmer



OPTIONAL

RF27617

48Vdc 240W Power supply