

FLOS

F1854044 Anodized Champagne

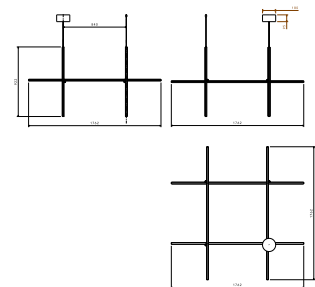
Coordinates Suspension 4

Designed by Michael Anastassiades, 2020



161W - 8830lm - 2700K - CRI > 95

Coordinates is a lighting system with diffuse light composed of horizontal and vertical luminaries arranged in a bright grid of various shapes and complexities. Each element is made of extruded anodized aluminium with a champagne finish and a diffuser in platinum optical silicone with an integrated LED strip (CRI 95). Each element is powered and supported by an invisible electrical and mechanical connection designed specifically to allow for the composition of the 4 hanging models (S1, S2, S3, S4) with 2.4-m cables. The 'S Module' is also available. Its geometry was designed to be repeated to create large grids for custom installations. Each Coordinates configuration includes its own ceiling rose, whose integrated electronics allow for the use of different dimmer systems: push, 1-10, DALI. In the absence of these systems, the amount of light can be set during installation with the push system included in the rose. The related CI III version is also available for each configuration for installations with a remote power supply.



Are you a professional and your project needs consulting and support?

[BOOK AN APPOINTMENT](#)

Main specifications

EAN	8059607001677
Mounting	Suspension
Environments	Indoor dry location
Light Source Type	LED
LED type	LED Module
Power (W)	161
System flux (lm)	8830

Physical

Colour	Anodized Champagne
Length (mm)	1762
Cord length (mm)	2400
Net weight (kg)	7.9
Package volume (m3)	0.06
IP internal	20

Download

Mounting instructions [↓ PDF](#)

Photometric Files

ULD [↓ ZIP](#)

Technical Drawings

3D [↓ ZIP](#)

[🔒 Bim](#) [↓ ZIP](#)



Photometric

Lighting type	Total
Light distribution	Asymmetric
CCT (K)	2700
CRI>	95

Electrical

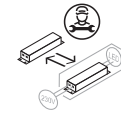
Insulation class	I
Frequency (Hz)	50/60
Main voltage (Vac)	100-240
LED voltage Vf (Vdc)	null
Driver	Integrated
Dimmable	Yes
Dimming type	Dimmable 0-10V, Dimmable Push, Dimmable 1-10V, Dimmable DALI 1
Dimming interface	Remote Dimmable (Dimmer Not Included)
Batteries inside	No

Ecodesign and Energy Labelling

This product contains a light source of energy efficiency class F



Replaceable (LED only) light source by a professional

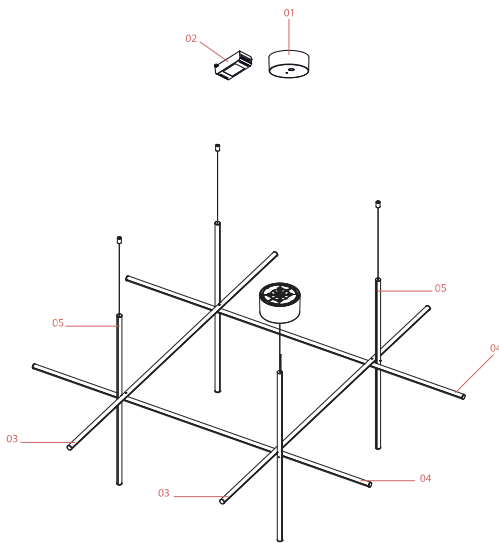


Replaceable control gear by a professional

Spare Parts

02. Led dimmer kit

RF0410300





RF0410300

Led dimmer kit