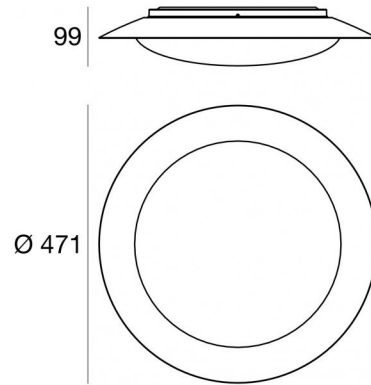




Ceiling Lights | 220-240 V  
1 topLED 21 W DC - 22 W AC | CRI 80  
**8280**



Technical data	
Type	Surface
Installation position	Ceiling
Installation environment	Indoor
Light Source	LED
Optics	Diffused
Light emission direction	downward
Nominal power	21 W DC
Total Power	22 W
Source lumens	2460 lm
Voltage	220 - 240 V AC
Frequency	60 - 50 Hz
CCT / Tone	3000 K
Colour rendering index	80 Ra
C.C. / C.V.	AC
Safety class	1
IP	IP40
Glow wire test	650°
Direct mounting on normally flammable surfaces	Yes
CE	Yes
Driver included	Driver
Dimmable article	No
Directional	No
Tilting	No
Walk-over	No
Drive-over	No
Cable included	No
Resin potting	No
Type of light emission	Single emission
Net weight	1.5 Kg
Electrostatic discharge protection	No
Surge protection	No

### Finishing casing

Material	Iron
Colour	Embossed white RAL 9003
Processing	Coating

### Finishing diffuser

Material	PMMA
Colour	opaline



## Ceiling Lights | 220-240 V | 1 topLED 21 W DC - 22 W AC | CRI 80 | Base 8280

Single emission ceiling lights for indoor application. The warm white LED light source with a diffused light distribution is composed of 1 topped LEDs with CCT of 3000 K and a CRI 80; the source luminous flux is 2460 lm, with a 117.1 lm/W nominal luminous efficacy.

The device body is made of iron and features a embossed white ral 9003 finish, processed by means of coating; the diffuser is made of pmma. The ingress protection degree is IP40; the total weight is of 1.5 kg.

The total absorbed power is 22 W.

The device features protection class I and can be ceiling-mounted.

Compliant with the EN 60598-1 standard and its specific provisions.

### Energy efficiency class

This product contains a light source of energy efficiency class F.

### Illuminotechnical Features

Light Output Ratio (LOR)	73 %
Source lumens	2460 lm
Delivered lumens	1800 lm
Consumption	22 W
Luminaire efficacy	81 lm/W
Colour temperature	3000 K
Standard Deviation of Colour Matching	3 Step MacAdam
Colour rendering index	80 Ra
Junction temperature (lighting fixture)	80
Standard Operating Ambient Temperature	25°C

### LED Life / Failure Ratio

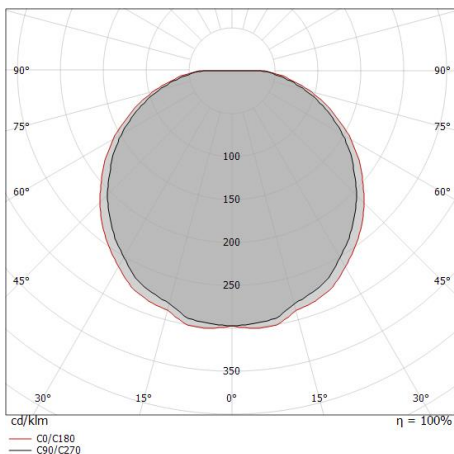
L70 B20 C0 72500h

### UGR

UGR axial	20.2
UGR transversal	20.6
X=4H   Y=8H	S=0.25H
Reflection factor	70/50/20

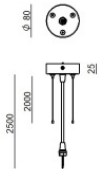
### OPTICAL

C90/C270 optics	120°
C0/C180 optics	124°
Light distribution simmetry	Symmetrical 2 assis



Distance [m]	Cone diameter [m]	illuminance [lx]
0.5	1.74 1.89	E(0°) 2139 E(C90) 133 E(C0) 111
1.0	3.48 3.78	E(0°) 535 E(C90) 33 E(C0) 28
1.5	5.22 5.67	E(0°) 238 E(C90) 15 E(C0) 12
2.0	6.96 7.55	E(0°) 134 E(C90) 8 E(C0) 7
2.5	8.70 9.44	E(0°) 86 E(C90) 5 E(C0) 4
3.0	10.43 11.33	E(0°) 59 E(C90) 4 E(C0) 3

— C0/C180 (Half-peak divergence: 124.2°)  
— C90/C270 (Half-peak divergence: 120.2°)

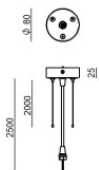


Fixing base

Material:Iron, colour:Embossed white RAL 9003, processing:Coating.

**Code**

KIT0120



Fixing base

Material:Iron, colour:Embossed black RAL 9005, processing:Coating.

**Code**

KIT0121