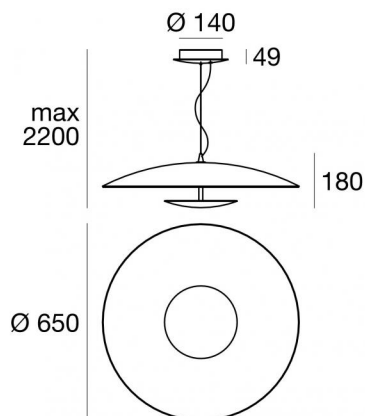




Pendant Luminaires | 220-240 V
1 topLED 29 W DC - 34 W AC | CRI 80

90287



Technical data	
Type	Surface
Installation position	Ceiling
Installation environment	Indoor
Light Source	LED
Total Power	34 W
Source lumens	3652 lm
Voltage	220 - 240 V AC
Frequency	60 - 50 Hz
CCT / Tone	3000 K
Colour rendering index	80 Ra
C.C. / C.V.	AC
Safety class	1
IP	IP20
Glow wire test	650°
Direct mounting on normally flammable surfaces	Yes
CE	Yes
Driver included	Driver
Dimmable article	No
Directional	No
Tilting	No
Walk-over	No
Drive-over	No
Cable included	No
Resin potting	No
Type of light emission	Double emission
Net weight	4.850 Kg
Electrostatic discharge protection	No
Surge protection	No

Finishing casing	
Material	Iron
Colour	gold
Processing	Electroplating

Finishing diffuser	
Material	Glass
Colour	white
Processing	Sandblasting

Finishing mounting frame	
Material	Iron
Colour	Embossed white RAL 9003
Processing	Coating



Pendant Luminaires | 220-240 V | 1 topLED 29 W DC - 34 W AC | CRI 80 | Base 90287

Double emission pendant luminaires for indoor application. The warm white LED light source with a diffused light distribution is composed of 1 topped LEDs with CCT of 3000 K and a CRI 80; the source luminous flux is 3652 lm, with a 125.9 lm/W nominal luminous efficacy.

The device body is made of iron and features a gold finish, processed by means of electroplating; the diffuser is made of glass with a sandblasting treatment; the mounting frame is made of iron, with a embossed white ral 9003 finish, processed by means of coating. The ingress protection degree is IP20; the total weight is of 4.850 kg.

The total absorbed power is 34 W.

The device features protection class I and can be ceiling-mounted.

Compliant with the EN 60598-1 standard and its specific provisions.

Energy efficiency class

This product contains a light source of energy efficiency class E.

Illuminotechnical Features

Light Output Ratio (LOR)	62 %
Source lumens	3652 lm
Delivered lumens	2270 lm
Consumption	34 W
Luminaire efficacy	66 lm/W
Colour temperature	3000 K
Colour rendering index	80 Ra
Junction temperature (lighting fixture)	80
Standard Operating Ambient Temperature	25°C

LED Life / Failure Ratio

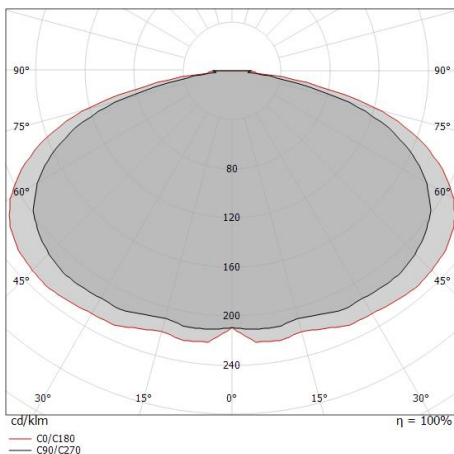
L70 B20 C0 72500h

UGR

UGR axial	17
UGR transversal	18
X=4H Y=8H	S=0.25H
Reflection factor	70/50/20

OPTICAL

C90/C270 optics	148°
C0/C180 optics	152°
Light distribution simmetry	Symmetrical 2 assis



Distance [m]	Cone diameter [m]	illuminance [lx]	E(0°)	E(C90)	E(C0)
0.5	3.44 4.01	1902 21 15	73.8°	76.0°	
1.0	6.88 8.02	475 5 4	73.8°	76.0°	
1.5	10.33 12.03	211 2 2	73.8°	76.0°	
2.0	13.77 16.04	119 1 1	73.8°	76.0°	
2.5	17.21 20.05	76 1 1	73.8°	76.0°	
3.0	20.65 24.06	53 1 0	73.8°	76.0°	

Distance [m] Cone diameter [m] illuminance [lx]

— C0/C180 (Half-peak divergence: 152.0°)
— C90/C270 (Half-peak divergence: 147.6°)