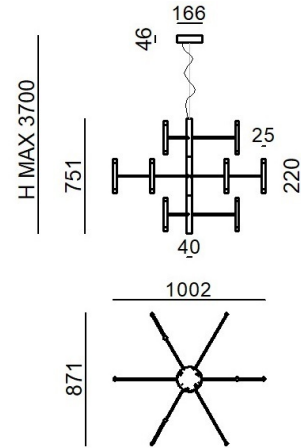




Pendant Luminaires | 200-240 V  
192 topLED 53 W DC - 59 W AC | CRI 90  
**9755**



Technical data	
Type	Pendant Luminaires
Installation position	Ceiling
Installation environment	Indoor
Light Source	LED
Total Power	59 W
Source lumens	8110 lm
Voltage	200 - 240 V AC
Frequency	50 - 60 Hz
CCT / Tone	3000 K
Colour rendering index	90 Ra
IP	IP20
Glow wire test	850°
Direct mounting on normally flammable surfaces	Yes
CE	Yes
Driver included	Driver
Dimmable article	DALI-2 - PUSH DIM
Directional	No
Tilting	No
Walk-over	No
Drive-over	No
Cable included	Yes
Cable length	3 m
Resin potting	No
Type of light emission	Double emission
Net weight	4.200 Kg
Electrostatic discharge protection	No
Surge protection	No

### Finishing casing

Material	Aluminium - Aluminium
Colour	Embossed white RAL 9003
Processing	Coating

### Finishing diffuser

Material	PMMA
Colour	sandblasted

### Finishing mounting frame

Material	Iron
Colour	Embossed white RAL 9003
Processing	Coating

### Cables Pendant Luminaires

Max cable length	3000 mm
------------------	---------

Pendant Luminaires | 200-240 V | 192 topLED 53 W DC - 59 W AC | CRI 90 | Base 9755

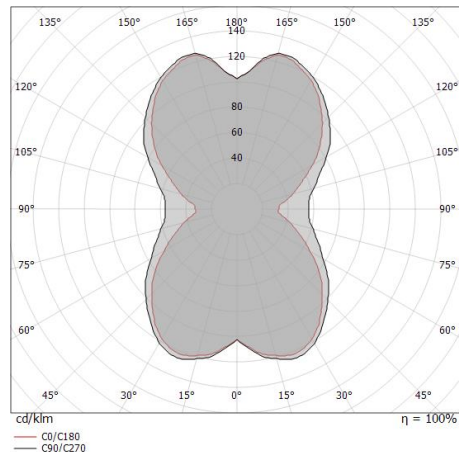
Double emission pendant luminaires for indoor application. The warm white LED light source with a diffused light distribution is composed of 192 topLEDs with CCT of 3000 K and a CRI 90; the source luminous flux is 8110 lm, with a 153.0 lm/W nominal luminous efficacy.

The device body is made of aluminium and features a embossed white ral 9003 finish, processed by means of coating. The device body is made of aluminium; the diffuser is made of pmma; the mounting frame is made of iron, with a embossed white ral 9003 finish, processed by means of coating. The ingress protection degree is IP20; the total weight is of 4.200 kg.

The total absorbed power is 59 W. The power supply cable is included and features a 3 m length.

and can be ceiling-mounted.

Compliant with the EN 60598-1 standard and its specific provisions.



Distance [m]	Cone diameter [m]	illuminance [lx]
0.5	3.51 1.96	E(0°) 2315 E(C90) 29 E(C0) 129
1.0	7.02 3.93	E(0°) 579 E(C90) 7 E(C0) 32
1.5	10.53 5.89	E(0°) 257 E(C90) 3 E(C0) 14
2.0	14.04 7.85	E(0°) 145 E(C90) 2 E(C0) 8
2.5	17.55 9.81	E(0°) 93 E(C90) 1 E(C0) 5
3.0	21.06 11.78	E(0°) 64 E(C90) 1 E(C0) 4

Distance [m]      Cone diameter [m]      illuminance [lx]

— C0/C180 (Half-peak divergence: 126.0°)  
- - C90/C270 (Half-peak divergence: 148.2°)

### Energy efficiency class

This product contains 24 light sources of energy efficiency class D.

### Illuminotechnical Features

Light Output Ratio (LOR)	69 %
Source lumens	8110 lm
Delivered lumens	5644 lm
Consumption	59 W
Luminaire efficacy	95 lm/W
Colour temperature	3000 K
Standard Deviation of Colour Matching	3 Step MacAdam
Colour rendering index	90 Ra
Junction temperature (lighting fixture)	80

Standard Operating Ambient Temperature 25°C

### LED Life / Failure Ratio

L70 B20 C0 72500h (at Tj 115 Ta 25 )

### UGR

UGR transversal	15.2
UGR axial	17.2
X=4H   Y=8H	S=0.25H
Reflection factor	70/50/20

### OPTICAL

C0/C180 optics	126°
C90/C270 optics	148°
Light distribution simmetry	Symmetrical 2 assis