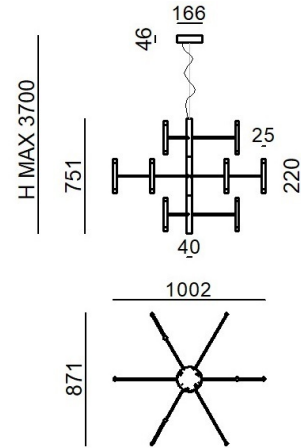




Pendant Luminaires | 200-240 V
192 topLED 53 W DC - 59 W AC | CRI 90
9757



Technical data	
Type	Pendant Luminaires
Installation position	Ceiling
Installation environment	Indoor
Light Source	LED
Total Power	59 W
Source lumens	8110 lm
Voltage	200 - 240 V AC
Frequency	50 - 60 Hz
CCT / Tone	3000 K
Colour rendering index	90 Ra
IP	IP20
Glow wire test	850°
Direct mounting on normally flammable surfaces	Yes
CE	Yes
Driver included	Driver
Dimmable article	DALI-2 - PUSH DIM
Directional	No
Tilting	No
Walk-over	No
Drive-over	No
Cable included	Yes
Cable length	3 m
Resin potting	No
Type of light emission	Double emission
Net weight	4.200 Kg
Electrostatic discharge protection	No
Surge protection	No

Finishing casing

Material	Aluminium - Aluminium
Colour	Brushed gold - Embossed white RAL 9003
Processing	Coating

Finishing diffuser

Material	PMMA
Colour	sandblasted

Finishing mounting frame

Material	Iron
Colour	Embossed white RAL 9003
Processing	Coating

Cables Pendant Luminaires

Max cable length	3000 mm
------------------	---------

Pendant Luminaires | 200-240 V | 192 topLED 53 W DC - 59 W AC | CRI 90 | Base 9757

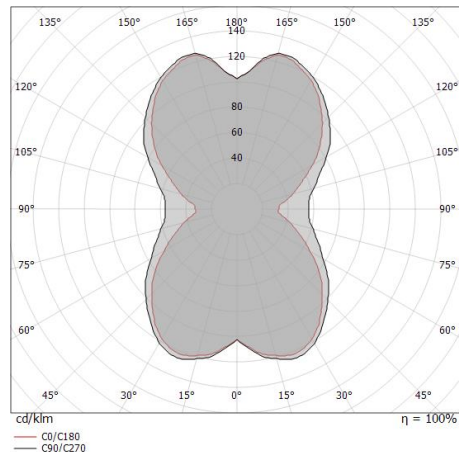
Double emission pendant luminaires for indoor application. The warm white LED light source with a diffused light distribution is composed of 192 topLEDs with CCT of 3000 K and a CRI 90; the source luminous flux is 8110 lm, with a 153.0 lm/W nominal luminous efficacy.

The device body is made of aluminium and features a embossed white ral 9003 finish, processed by means of coating. The device body is made of aluminium and features a brushed gold finish; the diffuser is made of pmma; the mounting frame is made of iron, with a embossed white ral 9003 finish, processed by means of coating. The ingress protection degree is IP20; the total weight is of 4.200 kg.

The total absorbed power is 59 W. The power supply cable is included and features a 3 m length.

and can be ceiling-mounted.

Compliant with the EN 60598-1 standard and its specific provisions.



Distance [m]	Cone diameter [m]	illuminance [lx]
0.5	3.51 1.96	E(0°) 2315 E(C90) 29 E(C0) 129
1.0	7.02 3.93	E(0°) 579 E(C90) 7 E(C0) 32
1.5	10.53 5.89	E(0°) 257 E(C90) 3 E(C0) 14
2.0	14.04 7.85	E(0°) 145 E(C90) 2 E(C0) 8
2.5	17.55 9.81	E(0°) 93 E(C90) 1 E(C0) 5
3.0	21.06 11.78	E(0°) 64 E(C90) 1 E(C0) 4

Distance [m] Cone diameter [m] illuminance [lx]

— C0/C180 (Half-peak divergence: 126.0°)
— C90/C270 (Half-peak divergence: 148.2°)

Energy efficiency class

This product contains 24 light sources of energy efficiency class D.

Illuminotechnical Features

Light Output Ratio (LOR)	69 %
Source lumens	8110 lm
Delivered lumens	5644 lm
Consumption	59 W
Luminaire efficacy	95 lm/W
Colour temperature	3000 K
Standard Deviation of Colour Matching	3 Step MacAdam
Colour rendering index	90 Ra
Junction temperature (lighting fixture)	80

Standard Operating Ambient Temperature 25°C

LED Life / Failure Ratio

L70 B20 C0 72500h (at Tj 115 Ta 25)

UGR

UGR transversal	15.2
UGR axial	17.2
X=4H Y=8H	S=0.25H
Reflection factor	70/50/20

OPTICAL

C0/C180 optics	126°
C90/C270 optics	148°
Light distribution simmetry	Symmetrical 2 assis