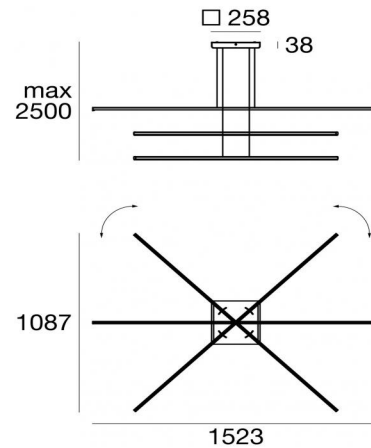
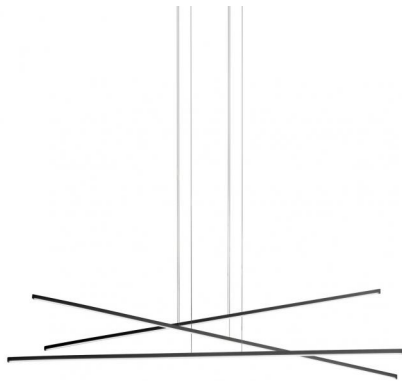
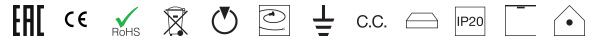


Straight_P3



Pendant Luminaires | 220-240 V
150 topLED 45 W DC - 49 W AC | CRI 90
8508



Technical data	
Construction year	2020
Type	Surface
Installation position	Ceiling
Installation environment	Indoor
Light Source	LED
Total Power	49 W
Source lumens	6668 lm
Voltage	220 - 240 V AC
Frequency	60 - 50 Hz
CCT / Tone	2700 K
Colour rendering index	90 Ra
C.C. / C.V.	AC
Safety class	1
IP	IP20
Glow wire test	850°
Direct mounting on normally flammable surfaces	Yes
CE	Yes
Driver included	Driver
Dimmable article	No
Directional	No
Tilting	No
Walk-over	No
Drive-over	No
Cable included	Yes
Cable length	2.5 m
Resin potting	No
Type of light emission	Single emission
Net weight	3 Kg
Electrostatic discharge protection	No
Surge protection	No

Finishing casing

Material	Aluminium
Colour	chrome
Processing	Electroplating

Finishing diffuser

Material	PC
Colour	opaline

Finishing mounting frame

Material	Iron
Colour	chrome
Processing	Electroplating



Pendant Luminaires | 220-240 V | 150 topLED 45 W DC - 49 W AC | CRI 90 | Base
8508

Single emission pendant luminaires for indoor application. The warm white LED light source with a diffused light distribution is composed of 150 topLED LEDs with CCT of 2700 K and a CRI 90; the source luminous flux is 6668 lm, with a 148.2 lm/W nominal luminous efficacy.

The device body is made of aluminium and features a chrome finish, processed by means of electroplating; the diffuser is made of PC; the mounting frame is made of iron, with a chrome finish, processed by means of electroplating. The ingress protection degree is IP20; the total weight is of 3 kg.

The total absorbed power is 49 W. The power supply cable is included and features a 2.5 m length.

The device features protection class I and can be ceiling-mounted.

Compliant with the EN 60598-1 standard and its specific provisions.

Energy efficiency class

This product contains 9 light sources of energy efficiency class E.

Illuminotechnical Features

Light Output Ratio (LOR)	35 %
Source lumens	6668 lm
Delivered lumens	2348 lm
Consumption	49 W
Luminaire efficacy	47 lm/W
Colour temperature	2700 K
Standard Deviation of Colour Matching	3 Step MacAdam
Colour rendering index	90 Ra
Junction temperature (lighting fixture)	80

Standard Operating Ambient Temperature 25°C

LED Life / Failure Ratio

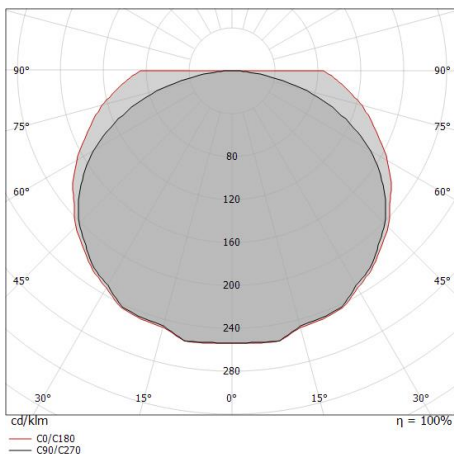
L70 B20 C0 72500h (at Tj 115 Ta 25)

UGR

UGR axial	27.3
UGR transversal	30.2
X=4H Y=8H	S=0.25H
Reflection factor	70/50/20

OPTICAL

C90/C270 optics	129°
C0/C180 optics	148°
Light distribution symmetry	Symmetrical 2 axis



Distance [m]	Cone diameter [m]	illuminance [lx]
0.5	2.09 3.51	E(0°) 2381 E(C90) 97 E(C0) 25
1.0	4.17 7.02	E(0°) 595 E(C90) 24 E(C0) 6
1.5	6.26 10.53	E(0°) 265 E(C90) 11 E(C0) 3
2.0	8.35 14.04	E(0°) 149 E(C90) 6 E(C0) 2
2.5	10.44 17.55	E(0°) 95 E(C90) 4 E(C0) 1
3.0	12.52 21.06	E(0°) 66 E(C90) 3 E(C0) 1

— C0/C180 (Half-peak divergence: 148.2°)
— C90/C270 (Half-peak divergence: 128.8°)